



The "E-Seal" integrates HD series sealing technology with a heavy-duty tapered roller bearing. This design enables engineers and purchasing departments to single source both Bearing and Seal requirements without sacrificing quality, strength or cost.

DuraShield E-Seals are field serviceable! Each component is of the highest quality from the proprietary cast steel housing to the Timken bearing and heavy-duty air purged seal. These parts have been selected based off their field tested performance, durability and most important dependability, Making the Dura-Shield E-Seal your go-to solution.

A direct replacement for standard E-type and Spherical bearings. Designed around CEMA compliance for Screw Conveyors. For additional information please call 1.877.243.7325



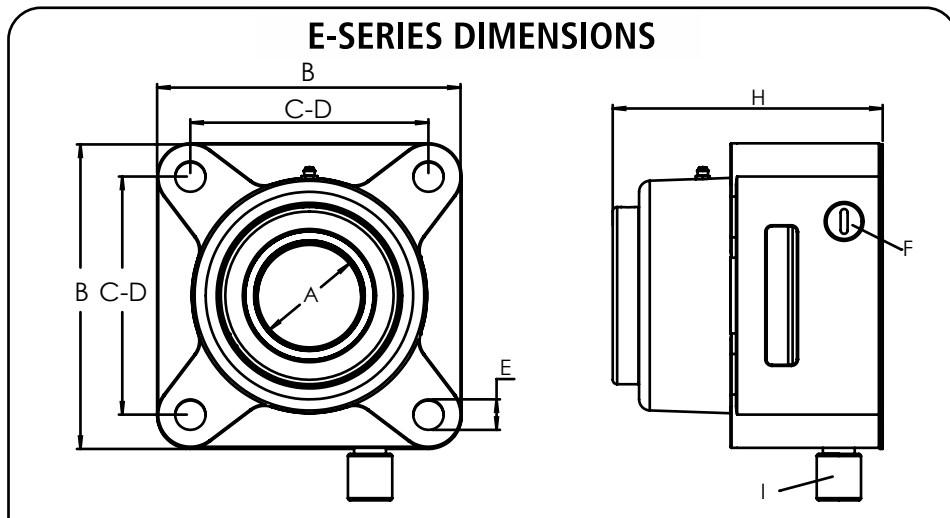
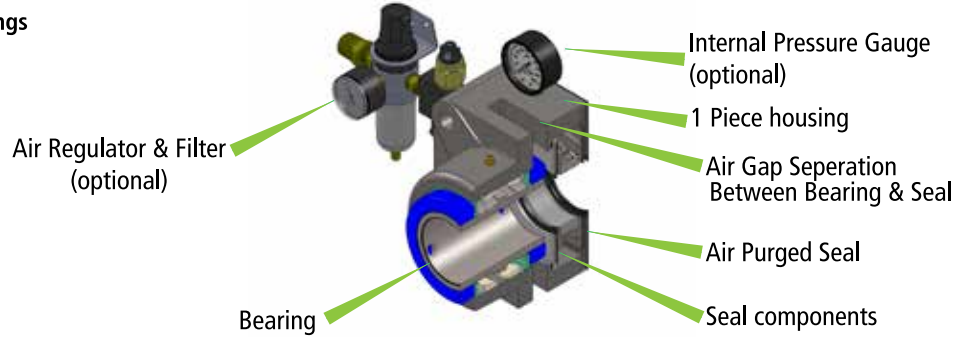
Available shaft sizes with Type E & Spherical bearings
1.50", 2.00", 2.437", 3.00", 3.437" & 3.937"

TECHNICAL SPECS:

- Operating Temperature Range: -60°F to 350°F
- Pressure Holding: 20 psig.
- Vacuum Holding: 10 hg.
- Air Purge Operating Pressure: 5 - 7 psig.
- Typical Air loss: 1.5 - 2 SCFM
- Torque setting for seal mounting: 50 ft.lbs
- Maximum Shaft Run Out: .250" TIR.
- Stuffing Box Misalignment: .015 TIR per inch of shaft
- Shaft Growth: ± 1/16"
- Shaft Tolerance: ± 1/16"
- Max. Out of Square Mounting Deviation: 1°
- Field Repairable: Yes
- Chemical Resistant Materials Available: Yes
- Standard Housing Material: Cast Steel w/coating
- Standard Elastomer Type: Silicone / EPDM
- Standard Bearing Thickness: 5.50"
- Maximum Shaft Speed: Variable by shaft diameter

OPTIONS:

- Bearings: E-Type, Spherical
- Mounting Gaskets: Silicone / EPDM , Viton
- Air Regulator / Filter with 0-60 psi gauge
- Sight Glass (rebuild indicator)



E-SERIES WITH "E TYPE" BEARING:

| A | B | C | D | E | F | F | H | I |
|-----------|---------|-------------|-------------|------------|---------------|----------|------------|-------------|
| SHAFT DIA | Housing | Bolt SQ.Max | Bolt SQ.Min | Slot Width | Elastomer Adj | Air con | Seal width | Option |
| 1.50 | 5.38 | 4.13 | 4.13 | 0.66 | 1/2" NPT | 1/8"Npt | 4.87 | sight glass |
| 2.00 | 5.63 | 4.38 | 4.38 | 0.66 | 1/2" NPT | 1/8" Npt | 4.97 | sight glass |
| 2.44 | 6.87 | 5.38 | 5.38 | 0.75 | 1/2" NPT | 1/8" npt | 5.44 | sight glass |
| 3.00 | 7.75 | 6.00 | 6.00 | 0.88 | 1/2" NPT | 1/8" NPT | 5.82 | sight glass |
| 3.44 | 9.25 | 7.00 | 7.00 | 0.88 | 1/2" NPT | 1/8" NPT | 6.38 | sight glass |
| 3.94 | 10.25 | 7.75 | 7.75 | 0.94 | 1/2" NPT | 1/4" NPT | 7.50 | sight glass |

E-SERIES WITH SPHERICAL BEARING:

| A | B | C | D | E | F | F | H | I |
|------|------|------|------|------|----------|----------|------|-------------|
| 1.50 | 4.63 | 3.54 | 3.54 | 0.66 | 1/2" NPT | 1/8" NPT | 4.82 | sight glass |
| 2.00 | 5.25 | 4.06 | 4.06 | 0.66 | 1/2" NPT | 1/8" NPT | 4.92 | sight glass |
| 2.44 | 6.25 | 4.80 | 4.80 | 0.75 | 1/2" NPT | 1/8" NPT | 5.44 | sight glass |
| 3.00 | 7.25 | 5.56 | 5.56 | 0.88 | 1/2" NPT | 1/8" NPT | 5.82 | sight glass |
| 3.44 | 8.38 | 6.74 | 6.74 | 0.88 | 1/2" NPT | 1/8" NPT | 6.23 | sight glass |