



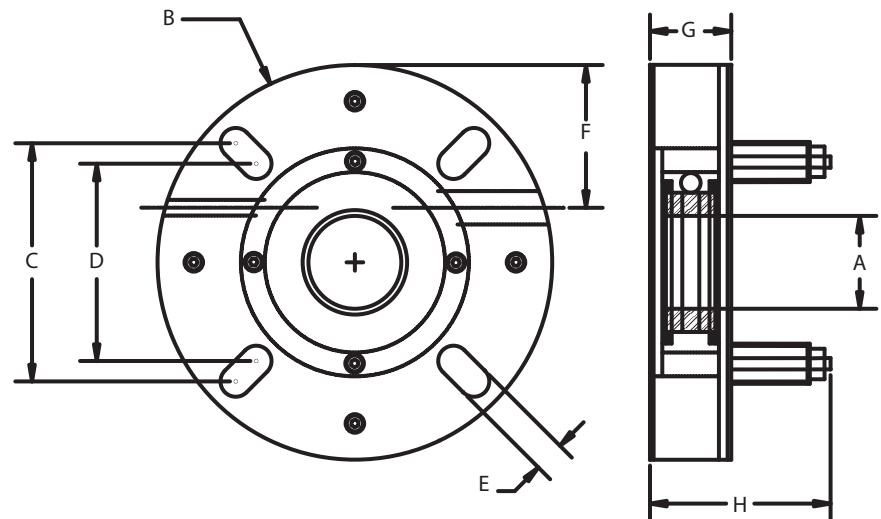
EA Series engineered seals effectively address the most problematic applications. High pressures, excessive shaft speed and difficulty to adjust are the most common reasons for pre-mature seal failure. EA Series seals address these problems while providing for the requirement of a positive pressure seal with highly abrasive wet and dry product.

Although EA Series seals are designed to fit C.E.M.A. standards for 4-bolt flange bearings they are not capable of being mounted between bearing and end plate of equipment. Please allow for proper clearance between back plate of seal and bearing.

EA Series seals are custom built to meet your processing requirements!
For additional information please call 1.877.243.7325

TECHNICAL DATA & DIMENSIONS

- Min. & Max. Operating Temp. **-60°F to 600°F**
- Pressure Holding: 60 psig. Max
- Vacuum Holding: 30 hg. Max
- Air Purge Connection Operating Pressure: 5 - 7 psig.
- Typical Air loss: 1.5 - 2.0 SCFM
- Torque setting for seal mounting: 50 pounds
- Maximum Shaft Run Out: 1/4" TIR.
- Stuffing Box Misalignment: .015 TIR per inch of shaft
- Shaft Growth: +/- 1/16"
- Shaft Tolerance: +/- 1/16"
- Max. Out of Square Mounting Deviation: 1°
- Field Repairable: YES
- Food Service: YES
- Chemical Resistant Materials Available: YES
- High Temperature Versions Available: YES
- Custom Designs Available: YES
- Standard Housing Material: T6-6061 Aluminum
- Standard Stainless Steel Type: 304SS
- Standard Elastomer Type: FDA COMPLIANT EPDM
- Standard Seal Thickness: 1-7/8" - 4.00" with self Adj.
- Minimum Available Seal Thickness: 1-1/2"
- Maximum Shaft Speed: 600 FPM



A - SHAFT DIA.	B - HOUSING	C - BOLT SQ. MAX	D - BOLT SQ. MIN	E - SLOT WIDTH	F - ELASTOMER ADJ.	G - AIR LINE	H - THICKNESS
.625 - 1.00"	4.25"	3.25"	2.25"	.48"	1.51"	1.38"	1.875"
1.25"	4.75"	3.63"	2.88"	.48"	1.62"	1.63"	1.875"
1.50"	5.50"	4.25"	3.87"	.66"	1.78"	1.74"	1.875"
2.00"	6.50"	5.14"	4.24"	.66"	2.33"	1.87"	1.875"
2.19"	7.25"	5.63"	4.88"	.68"	2.60"	2.54"	1.875"
2.43"	7.50"	6.00"	5.25"	.68"	2.53"	2.58"	1.875"
3.00"	8.00"	6.13"	5.88"	.80"	2.55"	2.62"	1.875"
3.43"	9.25"	7.48"	6.17"	.80"	3.09"	3.30"	1.875"
3.94 - 4.00"	10.25"	8.16"	6.67"	.94"	3.48"	3.69"	1.875"
4.43 - 4.50"	10.88"	8.88"	7.75"	.94"	3.48"	3.62"	1.875"

Dimensionally configured for type E and SCM medium duty 4-bolt flange bearings. Dura-Shield seals are also available for heavy duty RB end thrust bearings. For additional information please visit www.agdproducts.com or call **Toll Free 1-877-243-7325**

